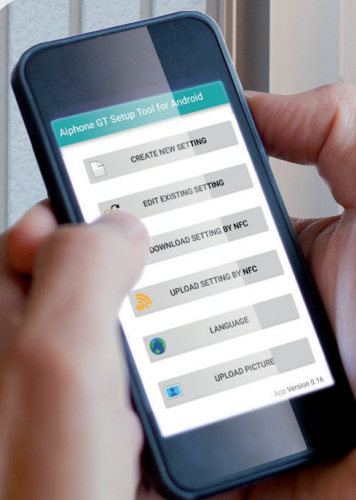




accessibility Apartment

Accessibility
Apartment



GT monobloc	39
GT packs	42
GT-1C7	50
GT-1M3	52
Wiring	58



AIPHONE 35

Compatibility

COMPATIBILITY GF, GH, GT & NEW GT "B VERSION"

Category	item you want to check			system on your site				Remarks
	Series	Model	Availability	GF	GH	GT	N-GT	
Audio module	GF	GF-DA/B	fin	●	✘	✘	✘	
	GH	GH-DA/A	fin	✘	●	✘	✘	
	GT	GT-DA-L	fin	✘	▲	●	✘	▲ : To make it compatible, it must be replaced with GTNS and GTVA.
	N-GT	GT-DB	new	✘	▲	▲	●	▲ : To make it compatible, it must be replaced with GTNSB and GTVB.
	N-GT	GT-DB-V	new	✘	▲	▲	●	▲ : To make it compatible, it must be replaced with GTNSB and GTVB.
N-GT	GT-DB-VN	new	✘	▲	▲	●	▲ : To make it compatible, it must be replaced with GTNSB and GTVB.	
Panel for audio module	GF	GF-DP	fin	●	✘	✘	✘	
	GH	GH-DP	fin	▲	●	✘	✘	▲ : Compatible, but the letter "GH system" is printed on the front.
	GT	GT-DP	fin	▲	▲	●	✘	▲ : Compatible, but the letter "GH system" is printed on the front.
	GT	GT-DP-L	fin	✘	✘	●	✘	
	N-GT	GT-DBP	new	✘	✘	✘	●	
Camera module	GF	GF-VA	fin	●	✘	✘	✘	
	GH	GH-VA	fin	✘	●	✘	✘	
	GT	GT-VA	fin	✘	▲	●	✘	▲ : To make it compatible, it must be replaced with GTDA and GTNS.
	GT'	GT-VAA	new	✘	▲	●	▲	▲ : To make it compatible, it must be replaced with GTDA and GTNS.
	N-GT	GT-VB	new	✘	▲	▲	●	▲ : To make it compatible, it must be replaced with GTDB and GTNSB.
"Panel for camera module"	GF	GF-VP	fin	●	●	✘	✘	
	GT	GT-VP	active	✘	✘	●	●	
10 Key module	GF	GF-10K	fin	●	✘	✘	✘	
	GH	GH-10K	fin	✘	●	●	●	
	GT	GT-10K	active	✘	●	●	●	
Panel for 10 key module	GF	GF-10KP	active	●	●	●	●	
Name scroll module	GF	GF-NS/A	fin	●	✘	✘	✘	
	GH	GH-NS	fin	✘	●	✘	✘	
	GT	GT-NS	fin	✘	▲	●	✘	▲ : To make it compatible, it must be replaced with the GTDA and GTVA.
	GT	GT-NSV	fin	✘	▲	●	✘	▲ : To make it compatible, it must be replaced with the GTDA and GTVA.
	N-GT	GT-NSB	new	✘	▲	▲	●	▲ : To make it compatible, it must be replaced with the GTDB and GTVB.
"Panel for name scroll module"	GF	GF-NSP	fin	●	●	✘	✘	
	GT	GT-NSP-L	active	●	●	●	●	
4-call button module	GF	GF-SW	fin	●	✘	✘	✘	
	GH	GH-SW	fin	✘	●	▲	▲	▲ : Compatible, but the light of GT-SW is brighter than others.
	GT	GT-SW	active	✘	●	●	●	
"Panel for 4-call button module"	GF	GF-1P	active	●	●	●	●	
	GF	GF-2P	active	●	●	●	●	
	GF	GF-3P	active	●	●	●	●	
	GF	GF-4P	active	●	●	●	●	
Keypad module	GF	GF-AC	fin	●	●	●	●	
	GT	GT-AC	active	●	●	●	●	
Address module	GF	GF-AD	fin	●	●	▲	▲	▲ : Compatible, but the light of GT-AD is brighter than others.
	GH	GH-AD	fin	●	●	▲	▲	▲ : Compatible, but the light of GT-AD is brighter than others.
	GT	GT-AD	fin	●	●	●	●	
Panel for address module	GF	GF-AP	active	●	●	●	●	
Blank panel	GF	GF-BP	active	●	●	●	●	
Front frame	GF	GF-2F	active	●	●	●	●	
	GF	GF-3F	active	●	●	●	●	
	GT	GT-4F	active	●	●	●	●	
Flush mount box	GF	GF-2B	active	●	●	●	●	
	GF	GF-3B	active	●	●	●	●	
	GT	GT-4B	active	●	●	●	●	
Surface mount box	GF	GF-102BA	active	●	●	●	●	
	GF	GF-103BA	active	●	●	●	●	
	GF	GF-202BA	active	●	●	●	●	
	GF	GF-203BA	active	●	●	●	●	
"Rain hood for flush mount"	GF	GF-102HA	active	●	●	▲	▲	▲ : The upper viewing area will be partially blocked by the rainhood.
	GF	GF-103HA	active	●	●	▲	▲	▲ : The upper viewing area will be partially blocked by the rainhood.
	GF	GF-202HA	active	●	●	▲	▲	▲ : The upper viewing area will be partially blocked by the rainhood.
	GF	GF-203HA	active	●	●	▲	▲	▲ : The upper viewing area will be partially blocked by the rainhood.
	GT	GT-102H	active	●	●	●	●	
	GT	GT-103H	active	●	●	●	●	
	GT	GT-104H	active	●	●	●	●	
	GT	GT-202H	active	●	●	●	●	
	GT	GT-203H	active	●	●	●	●	

symbols : ✘ : not compatible / ● : compatible / ▲ : not recommended

Category	item you want to check			system on your site				Remarks
	Series	Model	Availability	GF	GH	GT	N-GT	
"Surface mount box with rain food"	GF	GF-103HBA	active	●	●	▲	▲	▲ : The upper viewing area will be partially blocked by the rainhood.
	GF	GF-202HBA	active	●	●	▲	▲	▲ : The upper viewing area will be partially blocked by the rainhood.
	GF	GF-203HBA	active	●	●	▲	▲	▲ : The upper viewing area will be partially blocked by the rainhood.
	GF	GT-102HB	active	●	●	▲	▲	▲ : The upper viewing area will be partially blocked by the rainhood.
	GF	GT-103HB	active	●	●	●	●	
	GF	GT-104HB	active	●	●	●	●	
	GF	GT-202HB	active	●	●	●	●	
"Mono-block type entrance station"	GT	GT-DM	fin	✘	▲	●	✘	▲ : Not all the function is available.
	GT	GT-DMV	fin	✘	▲	●	✘	▲ : Not all the function is available.
	GT'	GT-DMA	new	✘	▲	●	●	▲ : Not all the function is available.
	GT'	GT-DMVA	new	✘	▲	●	●	▲ : Not all the function is available.
	N-GT	GT-DMB-N	new	✘	▲	●	●	▲ : Not all the function is available.
1 Zone adaptors	N-GT	GT-DMB-LVN	new	✘	▲	●	●	▲ : Not all the function is available.
	N-GT	GT-1Z	new	●	●	●	●	
4 Zone adaptors	GF	GF-4Z	fin	●	●	●	●	
	GH	GH-4Z	fin	●	●	●	●	
	GT	GT-4Z	active	●	●	●	●	
Audio control units	GF	GF-BC	fin	●	●	▲	▲	▲ : Installer 2 alimentations : 1 pour GT-BC & 1 pour GT-VBC
	GH	GH-BC	fin	●	●	▲	▲	▲ : Installer 2 alimentations : 1 pour GT-BC & 1 pour GT-VBC
	GT	GT-BC	active	▲	▲	●	●	▲ : Installer 2 alimentations : 1 pour GT-BC & 1 pour GT-VBC
Video control units	GF	GF-VBC/A	fin	●	✘	✘	✘	
	GH	GH-VBC	fin	✘	●	●	●	
	GT	GT-VBC	active	✘	●	●	●	
"Expanded video control unit"	GH	GH-VBX	fin	✘	●	●	●	
	GT	GT-VBX	active	✘	●	●	●	
"Expanded audio control unit"	GH	GH-BCX/A	fin	✘	●	✘	✘	
	GT	GT-BCX	fin	✘	●	●	✘	
	N-GT	GT-BCXB-N	new	✘	✘	✘	●	
Lift controller unit	GH	GHW-LC	fin	✘	●	●	●	
	GT	GTW-LC	active	✘	●	●	●	
IP adapter	N-GT	GT-MCX	new	✘	✘	✘	●	
Relay unit	GH	GH-RY	fin	✘	●	●	●	
	GT	GT-RY	active	✘	●	●	●	
"Concierge Guard station"	GF	GF-MK	fin	●	✘	✘	✘	
	GH	GH-MK	fin	✘	●	✘	✘	▲ : Not all the function is available.
	GT	GT-MK	fin	✘	✘	●	✘	▲ : Not all the function is available.
	N-GT	GT-MKB-N	new	✘	✘	●	●	▲ : Not all the function is available.
Audio stations	GF	GF-1D-SW	fin	●	✘	✘	✘	
	GF	GF-1DK	fin	●	✘	✘	✘	
	GT	GT-1D	active	✘	●	●	●	
	GH	GH-1AD-SW	fin	✘	●	●	●	
	GT	GT-1A	active	✘	●	●	●	
Video stations	GF	GF-1MD-SW	fin	●	✘	✘	✘	
	GF	GF-1MD-LA	fin	●	✘	✘	✘	
	GF	GF-1MDK	fin	●	✘	✘	✘	
	GH	GH-1MD	fin	✘	●	✘	✘	
	GH	GH-1KDS	fin	✘	●	●	●	
	GH	GH-1KD-SW	fin	✘	●	●	●	
	GT	GT-1M-L	fin	✘	●	●	●	
	GT	GT-1C	fin	✘	▲	●	●	▲ : Not all the function is available.
	GT	GT-1C-L	fin	✘	▲	●	●	▲ : Not all the function is available.
	GT	GT-2C	active	✘	▲	●	●	▲ : Not all the function is available.
	GT	GT-2C-L	active	✘	▲	●	●	▲ : Not all the function is available.
	GT	GT-2H	active	✘	▲	●	●	▲ : Not all the function is available.
	GT	GT-2H-L	active	✘	▲	●	●	▲ : Not all the function is available.
	N-GT	GT-1M3	new	✘	▲	●	●	▲ : Not all the function is available.
	N-GT	GT-1M3-L	new	✘	▲	●	●	▲ : Not all the function is available.
N-GT	GT-1C7	new	✘	▲	▲	●	▲ : Compatible, but video quality would not be sufficient.	
N-GT	GT-1C7-L	new	✘	▲	▲	●	▲ : Compatible, but video quality would not be sufficient.	
Handset unit	GH	GH-HS	fin	✘	●	●	●	
	GT	GT-HS	active	✘	●	●	●	

Presentation

WIDE-ANGLE CAMERA & ACCESSIBILITY

> **GT-VB • GT-DMB-N**

Widest-angle view on the market: 170° horizontally and 100° vertically with the GT entrance panel cameras

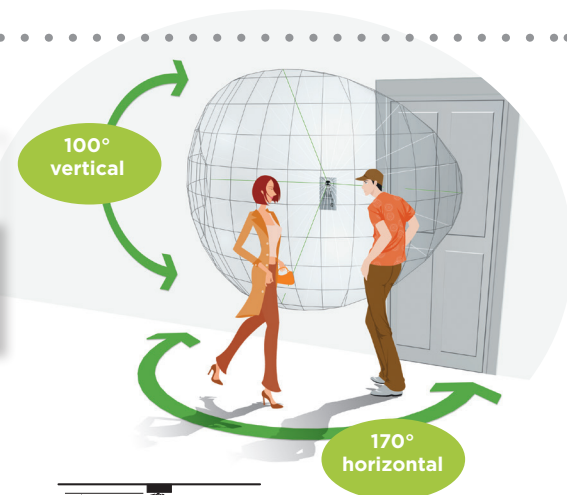
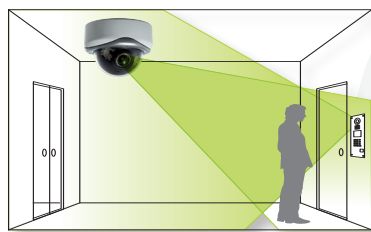
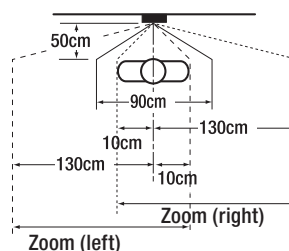
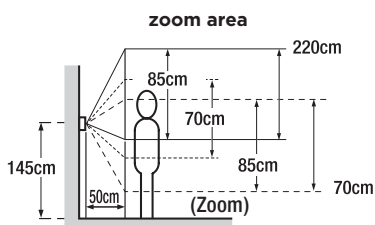
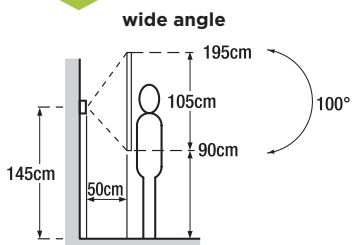


IMAGE VIEW AREA



VISITOR'S SIDE IN THE STREET

GT-DMB-N entrance station

Stainless steel monobloc, name scrolling, video with colour LCD & synthesis voice.



INSIDE THE APARTMENT

GT-1C7 monitor

- wide angle and zoom video
- **extra flat** 2,5 cm thick
- **hands free**



GT range

> PRESENTATION OF THE RANGE

The GT range is a hands-free colour video system with 170° wide-angle view, zoom and accessibility.

The GT range provides a global solution consisting of «entrance station + monitor», adapted to every type of building: public, private, renovation, etc.

2 types of system configuration possible:

- Standard system: 5 entrances/48 hands-free stations (100 handset stations)/2 security guard stations
- Expanded system: 16 entrances/500 room stations/4 security guard stations.

3 types of monitors equipped with magnetic loop are available:

- GT-2C-L: hands-free colour monitor with wide-angle view, zoom on 9 areas, picture memory and internal communication with other monitors in the apartment.
- GT-1C7: 7" screen colour video, hands-free with wide-angle view & zoom on 9 areas
- GT-1M3: 3,5" screen colour video, hands-free with wide-angle view & zoom on 1 area. Narrow width for renovation.

2 types of entrance stations:

- Stainless steel monobloc with large character colour LCD, pictograms and synthesis voice. Designed for heavy use, its compact construction in high-quality, vandal-resistant stainless steel ensures user-friendly operation.
- Modular, using materials that guarantee exceptional finish and a high level of vandal-resistance. The speaker-microphone also has pictograms and synthesis voice. This last system comes with all possible configurations: keypad, address module, blank panel, etc.





> NFC READER AND USB



DEFINITION

NFC is a simple and intuitive technology that allows using the mobile phone. It's essentially supported by Android.

Communication is possible in a nearby field up to about 10 cm. The NFC function is automatic: it is not necessary to launch an application, it can remain permanently activated.

Today, the applications are among others:

- direct access to information: web page, social networks ...
- contactless payment
- connection to computers ...

SOFTWARE

Software available on www.aiphone.net.
USB rope supplied with GT-DMB-N, GT-BC & GT-MKB-N



FEATURES

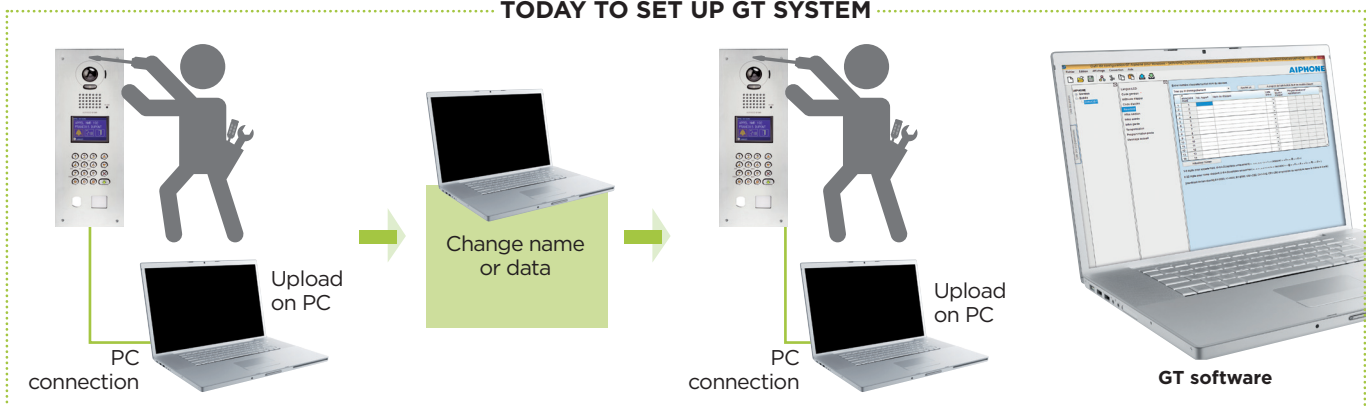
It's possible to choose from several modes of programming with the new GT software that allows also the data management of the entrance station:

- 1 Either direct USB connection with modular micro-HP GT-DB, GT-DBN, either directly on the monobloc entrance station GT-DMB-N, GT-NSB, Guard Station GT-MKB-N and / or extended audio center GT-BCXB-N

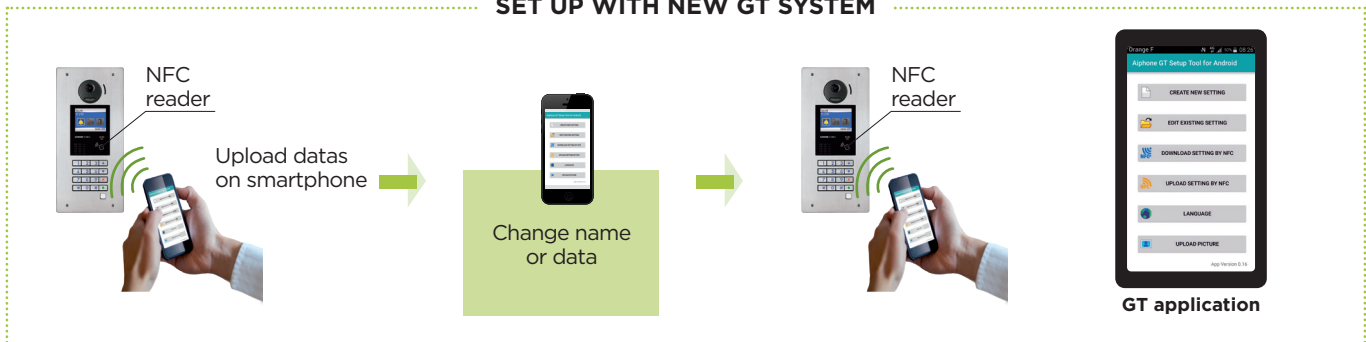
- 2 Via the NFC player and a smartphone under Android with the following references: GT-DMB-N, GT-MKB-N and GT-BCXB-N. The advantage of NFC is to be able to update a system via the entrance station or guard station without any disassembly.
- 3 Via a PC in centralized management via the LAN and a GT-MCX of the installation to manage.

The advantage of NFC is to be able to update a system via entrance station or the guard station without any disassembly.

TODAY TO SET UP GT SYSTEM



SET UP WITH NEW GT SYSTEM



SPECIFICATIONS

Software compatible with Windows 7, 8.1 & 10

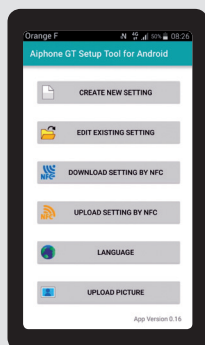
GT application for NFC compatible with Android OS 5.0 or advanced

> ADVANTAGE OF MODULAR RANGE

The modular Aiphone range offers entrance station that have all the features that will bring you all satisfaction with its exceptional FEATURES.

- Modular: many combinations are possible!
- Vandal resistant and IP 53. Surface mounting or flush
- High quality display with high contrast
- Navigation key: up / down, cancel (in relief), validation (in relief)
- Micro-HP module integrating 3 LEDs with 3 visual pictograms (call in progress, in communication / open door) with synthesis voice.
- New 170 ° wide angle camera module for the 7 " monitor
- Keyboard module with key «5» marked with a spot
- Programming by PC or smartphone

NEW FEATURES

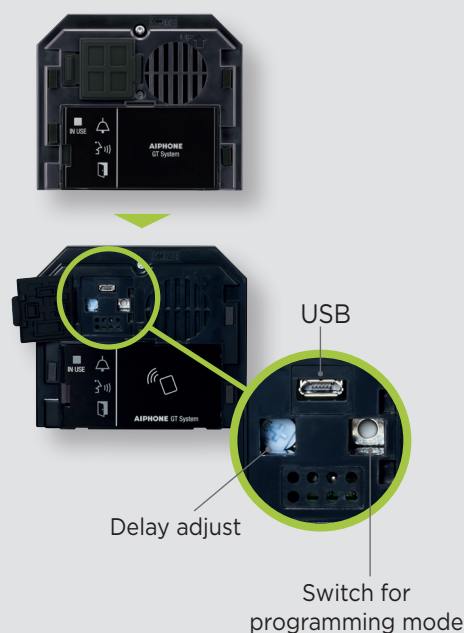
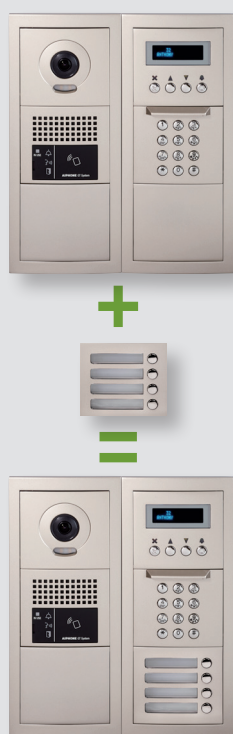


1 Its micro-HP with built-in NFC (option) allows an update of the names without dismantling the panel GT application is available to be able to manage the system without disassembly under Android

2 The new micro-speaker module has been thought with access from the front for maintenance:

- USB socket to connect a PC for updating system or names (if there is no NFC).
- Setting the terminal strike delay ELM / ELC / ELB from 0.5 to 20 seconds or pulse
- Switch to enter programming mode

3 Many buildings welcome professionals as doctors, architect office etc. Whether in the renovation, it's necessary that their visitors, customer or patient, can identify and easily call these professionals. Aiphone now allows within an installation scrolling names to bring out 4 call buttons on the same micro-HP.



GT audio system

Programmed GT AUDIO PACK

1
entrance

2-10
stations

> GTBA8F



Aiphone provides more services with GT packs. A single reference to enable you to save time in your audio or video installations.

All stations are programmed and marked with respect to call buttons.



**From
2 to 10
apartments:
1 installation
=
1 SINGLE
reference**

COMPOSITION OF EACH AUDIO PACK

- 2 to 10-call button flush-mount modular door station
- 1 central audio unit
- 2 to 10 GT-1D programmed audio stations
- 1 power supply PS-2420DM for the system (no door strike transformer unit)

COMPOSITION OF PACKS

Pack reference	GT-DB + GT-DBP	GT-1P	GT-2P	GT-3P	GT-4P	GT-SW	GF-2F + GF-2B	GF-3F + GF-3B	GT-BC + PS-2420DM	GT-1D (programmed)	Option
GTBA2F	1		1			1	1		1	2	GT-102HB
GTBA3F	1			1		1	1		1	3	GT-102HB
GTBA4F	1				1	1	1		1	4	GT-102HB
GTBA5F	1	1			1	2		1	1	5	GT-103HB
GTBA6F	1		1		1	2		1	1	6	GT-103HB
GTBA7F	1			1	1	2		1	1	7	GT-103HB
GTBA8F	1				2	2		1	1	8	GT-103HB
GTBA9F	1	1			2	3	2		1	9	GT-202HB
GTBA10F	1		1		2	3	2		1	10	GT-202HB

GT video system

Programmed
GT VIDEO PACK

1
entrance

2-10
stations

> GTBV8F



8-call video door station



8 x GT-1M3
Hands-free colour monitor



1 x GT-VBC
Video control unit



1 x GT-BC
Audio control unit



1 x PS-2420DM
Power supply

The quality of Aiphone colour video as a bonus!



Stations already programmed = Saves time!

COMPOSITION OF EACH VIDEO PACK

- 2 to 10-call button flush-mount modular door station
- 2 to 10 GT-1M3 programmed video stations
- Audio and video central unit included
- 1 power supply PS-2420DM for the system (no door strike transformer unit)

COMPOSITION OF PACK

Pack reference	GT-DB + GT-DBP	GT-VB + GT-VP	GT-1P	GT-2P	GT-3P	GT-4P	GT-SW	GFBP	GF-2F + GF-2B	GF-3F + GF-3B	GT-BC + PS-2420DM	GT-VBC	GT-1M3 (programmed)	Option
GTBV2F	1	1		1			1			1	1	1	2	GT-103HB
GTBV3F	1	1			1		1			1	1	1	3	GT-103HB
GTBV4F	1	1				1	1			1	1	1	4	GT-103HB
GTBV5F	1	1	1			1	2		2		1	1	5	GT-202HB
GTBV6F	1	1		1		1	2		2		1	1	6	GT-202HB
GTBV7F	1	1			1	1	2		2		1	1	7	GT-202HB
GTBV8F	1	1				2	2		2		1	1	8	GT-202HB
GTBV9F	1	1	1			2	3	1		2	1	1	9	GT-203HB
GTBV10F	1	1		1		2	3	1		2	1	1	10	GT-203HB

GT system

GT monobloc entrance station

With its NFC reader, the update is safe and simplified, guarantee without dismantling entrance station

THE AIPHONE

1. Colour camera, wide angle
170° horizontally
and 100° vertically

8. NFC reader for
programming

2. Colour LCD display

3. Illuminated pictograms

4. Synthèse vocale

6.
Access control keypad:

- Room number dialling
- Updating names
- Backlit
- Key 5 indicated

7. Detector



GT-DMB-N
Entrance station

> PRESENTATION OF THE MONOBLOC RANGE

FEATURES

- Stainless steel 2.5 mm, monobloc
- **NFC reader for updating with smartphone with Android OS**
- Surface or flush mount
- **3.5-inch colour LCD with polycarbonate protection.**
- Presence detector to automatically activate LCD screen
- **Wide-angle camera, 170° horizontally and 100° vertically, with night illumination**
- Display with 3 visual pictograms size 17 mm (call in progress, in communication = orange; door release = green), paired with synthesis voice.
- Optional to build in a camera (NTSC) for video protection with viewing on monitor
- Navigation key: for cancellation and confirmation, embossed for the vision impaired
- 32 characters per name and 160 characters for the welcome message
- Keypad with room number dialling. Key 5 embossed, allowing the vision impaired to dial a room number
- Programmable by PC via USB or with the keypad



GT-DMB-N
Stainless steel door station
(GF-3B not supplied)

OPTIONS



GF-3B
Flush mount back box
for 3 modules for GT-DMB-N

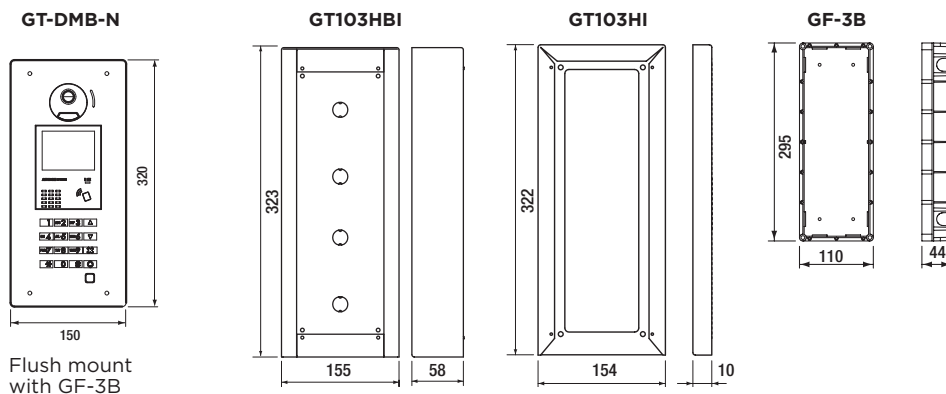


GT103HBI
Surface mount box with rain hood
for GT-DMB-N



GT103HI
Stainless steel rain hood
for flush mount GT-DMB-N

DIMENSIONS (mm)



GT system

Hands-free colour video

THE AIPHONE

Accessibility
Apartment

2. New colour camera, wide angle
170° horizontally and 100° vertically for 7" monitors

The modular entrance station has all the features required for compliance with the accessibility, in particular its high contrast display. The modular entrance station is ideal for customising your projects. Its micro-speaker with integrated NFC (option) allows an update of the names without disassembly the panel with smartphone.

3. Synthesis voice

4. Signalling pictograms

6. NFC reader for programming

1. Strong contrast VFD display, improved visual comfort.

9. Embossed call and cancel button

8. Backlit keypad, key 5 indicated



4 modules in 1 row

4 modules in 2 rows



Modular entrance station

> PRESENTATION OF THE MODULAR RANGE

MODULES

MIC/SPEAKER MODULE



GT-DB-P
Panel for GT-DB, GT-DBN



GT-DBN
Mic & Speaker Module with LEDs and synthesis voice & NFC reader



GTBMT
Magnetic loop for GT-DB, GT-DBN



GT-DB
Mic & Speaker Module with LEDs and synthesis voice

NAME SCROLLING MODULE



GT-NSB
Name scrolling module



GT-NSP-L
Panel for GT-NSB



GF-10KP
Panel for GT-10K



GT-10K
Keypad programming module

CAMERA MODULE



GT-VP
Panel for GT-VB



GT-VB
Camera module

1 TO 4-CALL BUTTON MODULE



GF-1P
Panel for 1-call button



GF-2P
Panel for 2-call button



GT-SW
4-call button module



GF-3P
Panel for 3-call button



GF-4P
Panel for 4-call button

ADDRESS MODULE

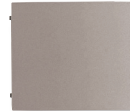


GF-AP
Panel for GT-AD



GT-AD
Address module

BLANK MODULE



GF-BP
Blank panel

ACCESS CONTROL MODULE



GT-AC
Keypad module
100 codes, 2 relays

FRAMES & FLUSH MOUNT BOXES



GF-2F
Front frame for 2 modules



GF-2B
Flush mount back box for 2 modules



GF-3F
Front frame for 3 modules



GF-3B
Flush mount back box for 3 modules

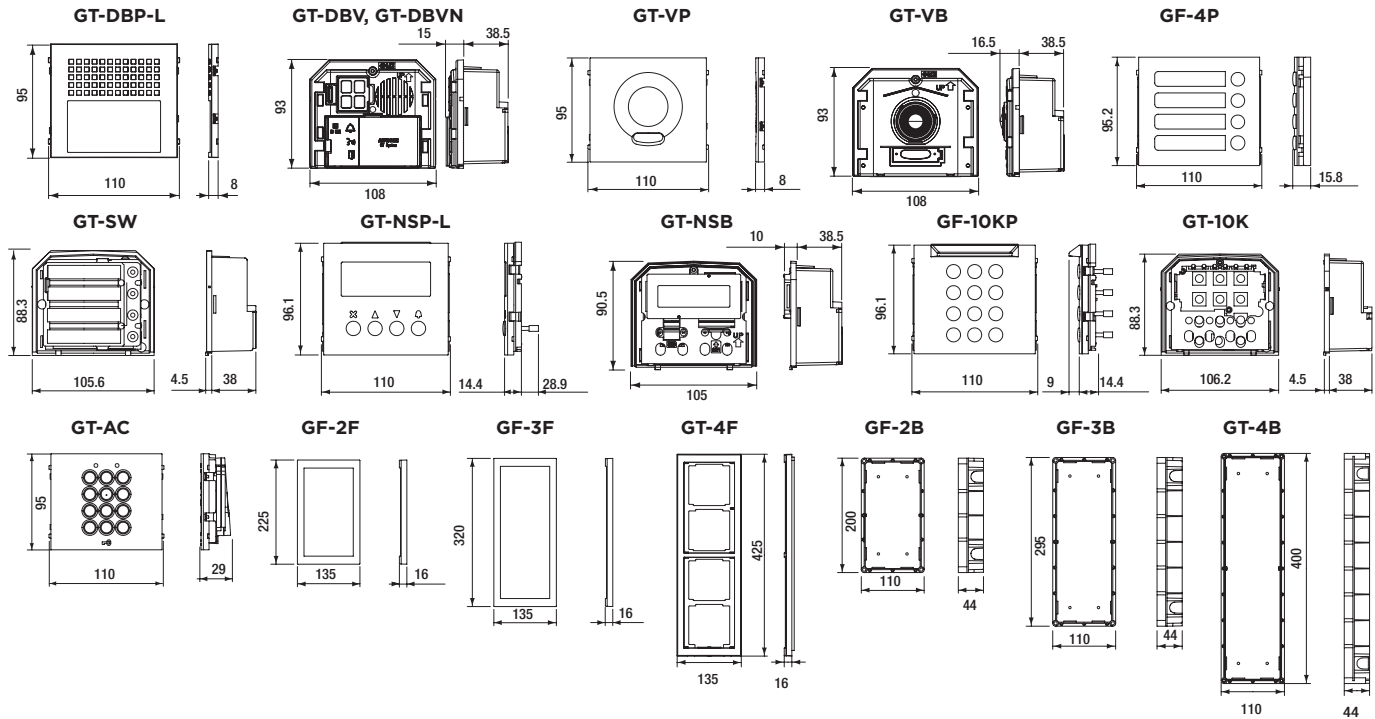


GF-4F
Front frame for 4 modules



GF-4B
Flush mount back box for 4 modules

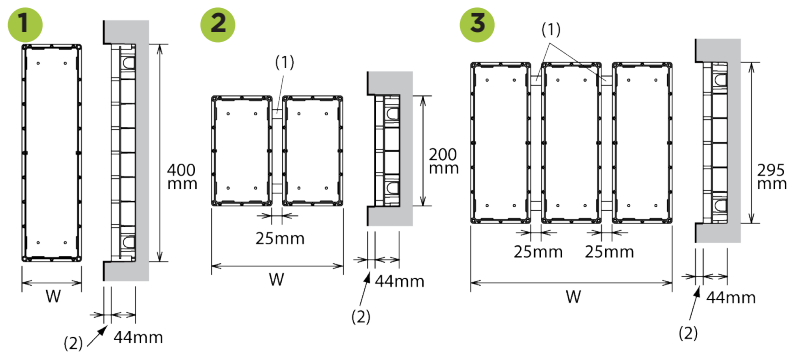
DIMENSIONS (mm)



Flush mount box

- 1 Flush mount back box for 4 modules
- 2 Flush mount back box for 2 modules
- 3 Flush mount back box for 3 modules

(1) Joint tube (x2)
 (2) Do not install flush mount back box more than 15 mm from edge of front panel



GF2B/3B GT4B	W
x 1	110
x 2	245
x 3	380
x 4	515
x 5	650
x 6	785
x 7	920
x 8	1055
x 9	1190

SPECIFICATIONS

Specifications (GT-DBV, GTDVB, GTVB)

Wiring	Wiring 1 pair
Mounting	Frame GF-2F, GF-3F & GT-4F
Back box	Fire-retardant plastic

Specifications (GT-NSB)

Power supply	24 VDC, supplied by power supply PS-2420DM
Wiring	Wiring 1 pair
Back box	Fire-retardant plastic

Specifications (GT-SW, GT-10K, GT-AD)

Lighting	Yellow LED
Back box	Fire-retardant plastic

> HOODED SURFACE MOUNT BOX FOR GT PANELS (GT-nHB)

FOR			PROVIDE						Dimensions
GF-2F	GF-3F	GT-4F	GT-102HB	GT-202HB	GT-103HB	GT-203HB	GT-303HB	GT-104HB	
1			1						155 x 243
2				1					290 x 243
	1				1				155 x 338
	2					1			290 x 338
	3						1		425 x 338
		1						1	155 x 443

Depth with rain hood: 68 mm - **Do not provide flush mount back boxes GF-2B, GF-3B & GT-4B**

> SURFACE MOUNT BOX WITHOUT RAIN HOOD FOR GT PANELS (GF-nBA)

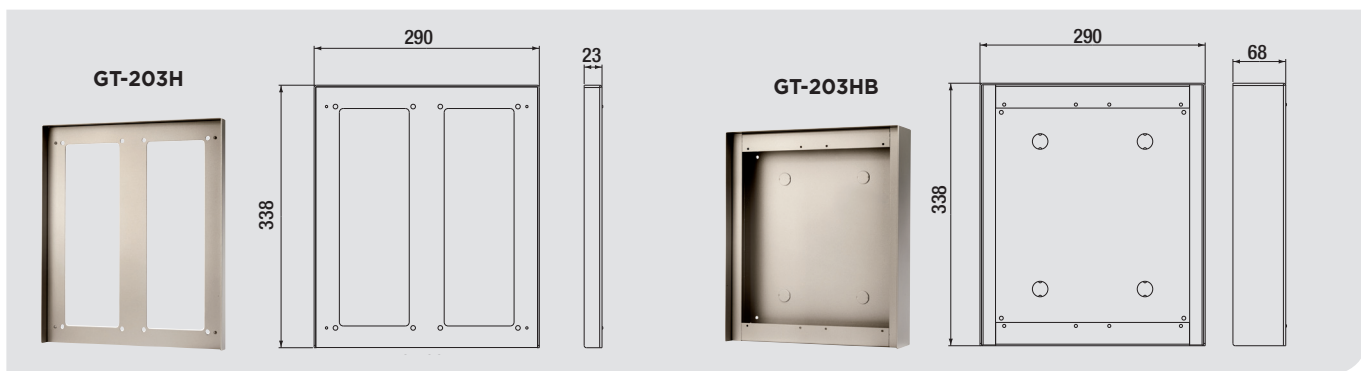
FOR		PROVIDE				Dimensions
GF-2F	GF-3F	GF-102BA	GF-202BA	GF-103BA	GF-203BA	
1		1				139 x 229
2			1			274 x 229
	1			1		139 x 324
	2				1	274 x 324

Depth 45 mm - **Do not provide flush mount back boxes GF-2B, GF-3B**

> HOODED FLUSH MOUNT FOR GT PANELS (GT-nH)

FOR			PROVIDE						Dimensions
GF-2F & GF-2B	GF-3F & GF-3B	GT-4F & GT-4B	GT-102H	GT-202H	GT-103H	GT-203H	GT303H	GT-104H	
1			1						155 x 243
2				1					290 x 243
	1				1				155 x 338
	2					1			290 x 338
	3						1		425 x 338
		1						1	155 x 443

For GT-nH: depth 23 mm



GT-1C7 monitor

Hands free 7 inches video colour monitor

Our wide range of monitors offer you a tailor-made solution as well as different applications and finishes.

You have the freedom of choosing a monitor within the same installation: high range with picture memory, hands-free with a wide 7" screen for a better identification and a monitor with narrow width for renovation.

1.

7" wide screen

3.

Key symbol
(door release)

2.

Brightness
control

4.

Zoom mode,
for magnified view of the
visitor, regardless of their
height or position in front
of the entrance station.

THE AIPHONE



GT-1C7
Hands free monitor

5.

Direct access
at the speaking
button.
Lights up when
used.

GT system

Hands-free COLOUR VIDEO

> ROOM STATIONS

HANDS-FREE MONITOR FEATURES

- Hands-free full duplex colour monitor
- 3.5" LCD (9 cm) screen or 7" screen monitor (18 cm)
- Wide-angle view 170° horizontally and 100° vertically
- Zoom on 9 areas
- Extra-slim: 2,5 cm & 3 cm thickness
- Backlight adjustment
- Light control or CCTV control button
- Ring control: volume and turn off
- Doorbell contact
- Programming via station link or DIP Switch
- Missed security guard call indicated on display

GT-1C7



GT-1C7

Hands free video, 7" screen

GT-1M3



GT-1M3

Hands free video, 3.5" screen



MCWSA
Desk stand



MCWSA
Desk stand



GT-1A
Audio hands-free
master station

GT-1A



MCWSA
Desk stand with
tilt adjustment



GT-1D
Audio station
with magnetic
loop

GT-1D



MCWS1
Desk stand

GTTLI



GTTLI
Telephone interface
for GT station

SPECIFICATIONS

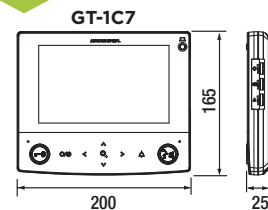
Power supply	24 VDC, provided by bus control unit (GT-BC and GT-VBC)
Video monitor	Display: LCD 3.5"
Wiring	Monitors: Wiring 2 pairs • Audio stations: Wiring 1 pair
Mounting	Wall mount only
Back box	Fire-retardant plastic

48 standard **500** expanded

GT-1C7 FEATURES

- Hands-free full duplex
- **7" LCD (18 cm)**
- Wide-angle view 170° horizontally and 100° vertically
- Zoom on 9 areas
- Backlight adjustment
- Extra slim (2,5 cm)
- Possibility to install 3 audio room stations
- Ring volume control
- Doorbell contact: different ring from the door call-in

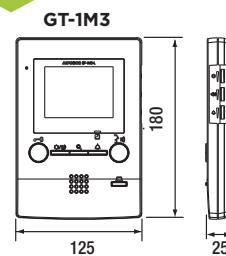
DIMENSIONS (mm)



GT-1M3 FEATURES

- Hands-free full duplex
- 3,5" LCD (9 cm)
- **Narrow width for renovation**
- Wide-angle view 170° horizontally and 100° vertically
- Zoom on 1 areas
- Backlight adjustment
- Ring volume control
- Doorbell contact: different ring from the door call-in

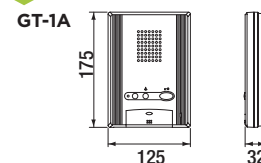
DIMENSIONS (mm)



GT-1A FEATURES

- Audio hands-free master station
- Ring and mute control
- Ring mute indicator light
- Adjust call volume
- Doorbell contact, different ring from the door call-in

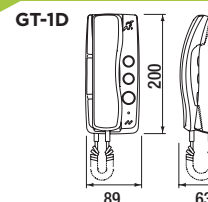
DIMENSIONS (mm)



GT-1D FEATURES

- Audio station with handset
- Magnetic loop included in the handset
- Ring and mute control
- Ring mute indicator light
- Doorbell contact, different ring from the door call-in

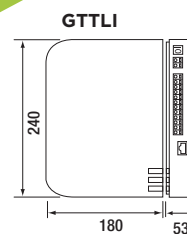
DIMENSIONS (mm)



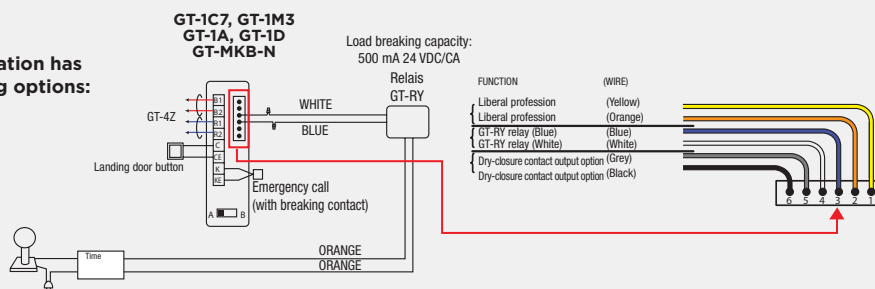
GTTLI FEATURES

- 12 V power supply included
 - Synthesis voice for door station and telephone
 - RJ11 wiring for station and telephone line with ADSL micro filter
 - Output contact activated by room station
 - Programming via DTMF type telephone
 - Call on internal telephone station (without communication cost)
 - Forwarding to external number or mobile phone (with communication cost): 1 number only
 - Double call beep of the door station to telephone during communication
 - Programming as an apartment station
 - Programming switch
 - No internal communication between stations and GTTLI in the same apartment
 - No security guard call possible between GTTLI and GT-MKB-N
 - Optional RJTLI for connecting 2 telephones on the same line
- GTTLI interface is included as an audio station in the calculation of the system capacity.**

DIMENSIONS (mm)



The room station has the following options:



> ROOM STATIONS

HANDS-FREE MONITOR FEATURES

- Hands-free full duplex with magnetic loop
- Wide-angle view 170° horizontally and 100° vertically
- Zoom on 9 areas
- Picture memory (6 pictures per call - 40 memorised) either in zoom mode or in full screen mode, or 3 in full screen + 3 in zoom
- Record button and picture viewing with time stamp
- Brightness control (3 possible modes)
- Internal communication between the room stations
- Doorbell contact or possibility to connect a door station (vandal-resistant, surface or flush mounted) in the place of the doorbell button: different ring from the door call-in
- 3 inputs allowing the connection of an external detector for transmitting alarms with alert on the monitor and security guard station. The same may be done with an anti-intrusion alarm
- Missed security guard call indicated on display
- Power supply PS-2420DM required
- 3.5" LCD (9 cm)
- Light control or CCTV control button
- Ring control: volume and tone (5 tones)
- Programming via station link or DIP Switch
- Video output (NTSC)

GT-2C-L



GT-2C-L
Wide-angle monitor with magnetic loop and picture memory



With optional handset



GT-2H-L
Additional monitor for the GT-2C-L with magnetic loop and internal communication

OPTIONS



GT-D
Audio door station for the GT-2C-L



JK-DV
Vandal-resistant, surface mount door station



JK-DVF
Vandal-resistant, flush mount door station



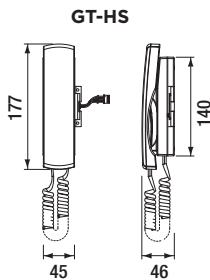
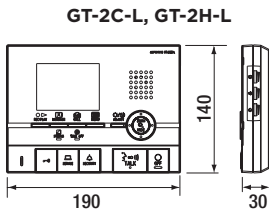
MCWSA
Desk stand with tilt adjustment for GT-2C-L and GT-2H-L monitor



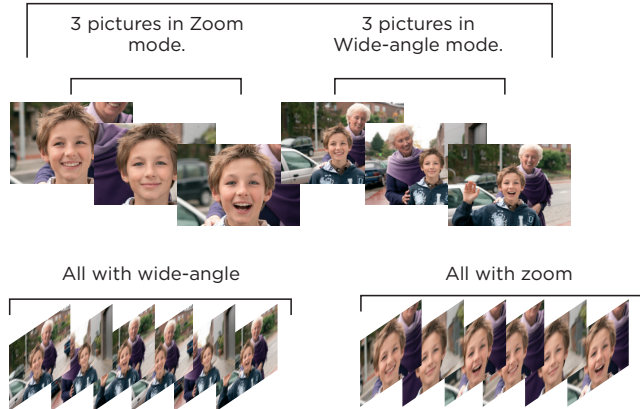
GT-HS
Optional handset

48 standard **500** expanded

DIMENSIONS (mm)



PICTURE MEMORY (GT-2C-L only)



2 standard **4** Expanded

> SECURITY GUARD STATION



GT-MKB-N
Guard station with NFC reader

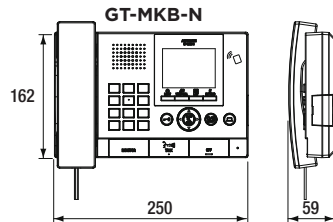


JO-DV
Vandal-resistant, surface mount door station

FEATURES

- **3,5" video screen**
- Resident call-in memory in the absence of the guard, stored with callback function
- The security guard station is fitted has the same features as the room stations and can communicate with all the resident stations
- Furthermore, the security guard station can be used to respond to emergency calls. To activate the «alarm» on the guard station and indicate the call origin, simply open the contact on the apartment station.
- Resident name and room number, etc., are programmable by PC or NFC with GT application
- **9 zones zoom**
- Possibility to replace door bell by JO-DV video door station
- Hands free or handset conversation with magnetic loop
- Backlight adjust
- Direct call by dialing an apartment number
- PS-2420DM is required

DIMENSIONS (mm)



SPECIFICATIONS

Power supply	24 VDC, power supply PS-2420DM
VFD display	Max. 16 letters for names English, French, German, Spanish, Dutch and Scandinavian languages
Wiring	Wiring 1 pair + 1 pair for power supply.
Mounting	Wall mounting or desk mounting on GFW-S
Back box	Fire-retardant plastic

GT system EXTENSIONS

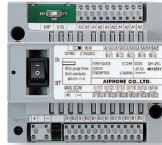
> CONTROL UNITS AND DISTRIBUTORS

FEATURES

- 16 entrance stations • 4 security guard stations • 500 room stations, 4 junction sub lines, (125 stations per sub line)



GT-BC
Audio bus
control unit



GT-VBC
Video
control unit



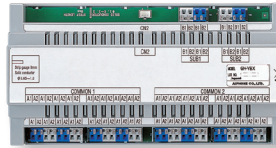
GT-4Z
4-way video
junction unit



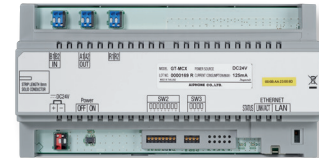
GT-1Z
1-way video junction unit



GT-BCXB-N
Expanded audio bus control
unit with USB plug and NFC reader



GT-VBX
Expanded video
control unit



GT-MCX
Multi building IP
control unit

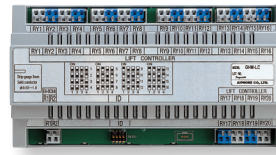
OPTIONS



PS-2420DM
Power supply



GT-RY
External signalling relay,
entrance lighting and/or
call extension



GTW-LC
Lift controller 20 relay for
GT-BCX in expanded system
only (provide GT-BC
+ PS-2420DM in addition)



GFCTB
Distribution connector

SPECIFICATIONS

Specifications (GT-BC, GT-VBC)

Power supply	24 VDC, PS-2420DM
Consumption	900 mA
Wiring	1 pair
Back box	Fire-retardant plastic

Specifications (GT-BCXB-N, GT-VBX)

Power supply	GT-BCX: DC 24 V, PS-2420DM, GT-VBX: by GT-BCX
Wiring	Wiring 1 pair
Mounting	DIN rail
Back box	Fire-retardant plastic

Specifications (GT-4Z)

Wiring	Wiring 1 pair
Mounting	DIN rail
Back box	Fire-retardant plastic

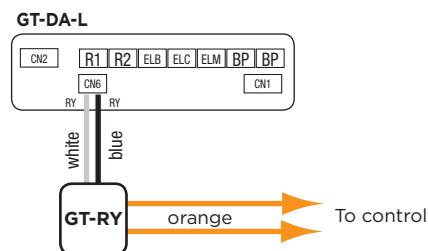
Specifications (PS-2420DM)

Input voltage & capacity	230 VAC, 50 Hz
Output voltage	24 VDC, 2 A

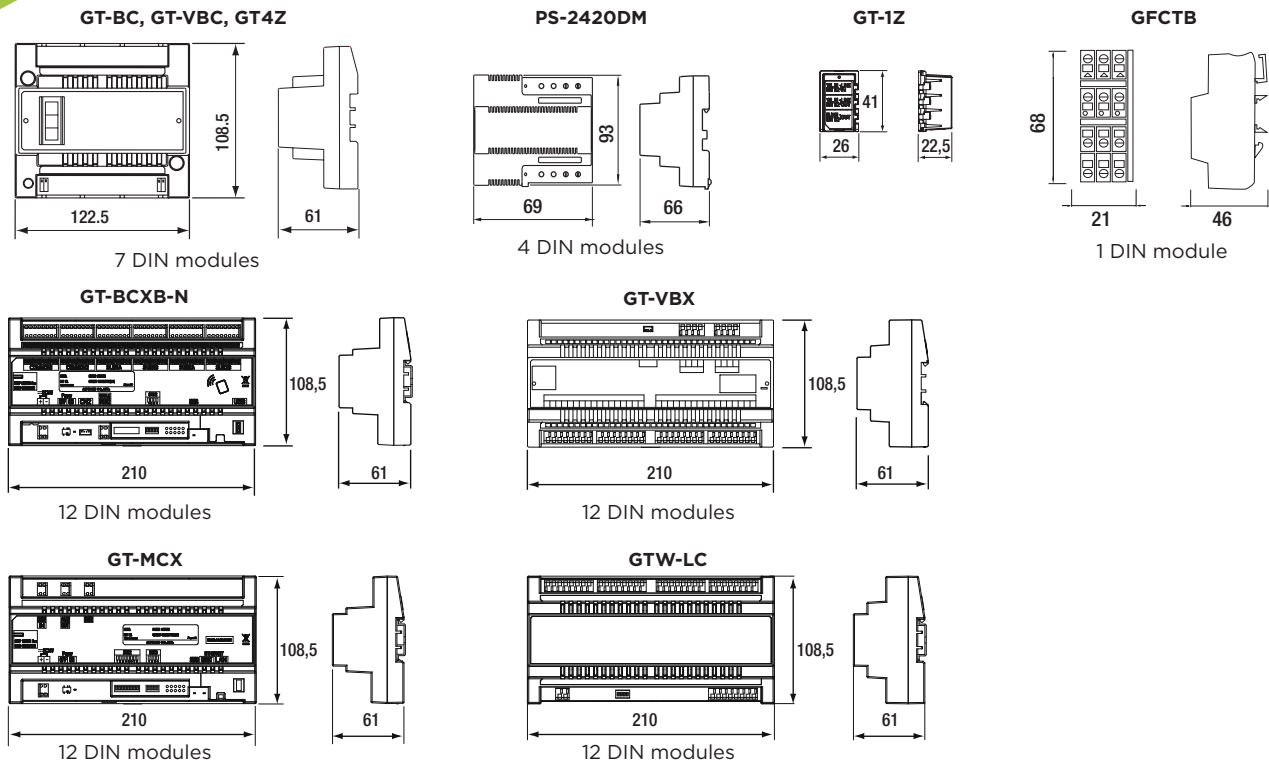
WIRING DISTANCE

	Distance (Diameter of wires)
GT-BC, GT-VBC at the farthest entrance station	300 m (0.8 mm)
GT-BC, GT-VBC at apartment station	150 m (extendable to additional 150 m farthest video station with additional GT-VBC and power supply)
GT-BC, GT-VBC at the farthest audio apartment station	300 m (0.8 mm)
GT-BC, GT-VBC to each power supply	5 m (0.8 mm)
GT-RY to entrance station	300 m (0.8 mm)
Total wiring distance	2500 m (0.8 mm)

GT-RY WIRING



DIMENSIONS (mm)



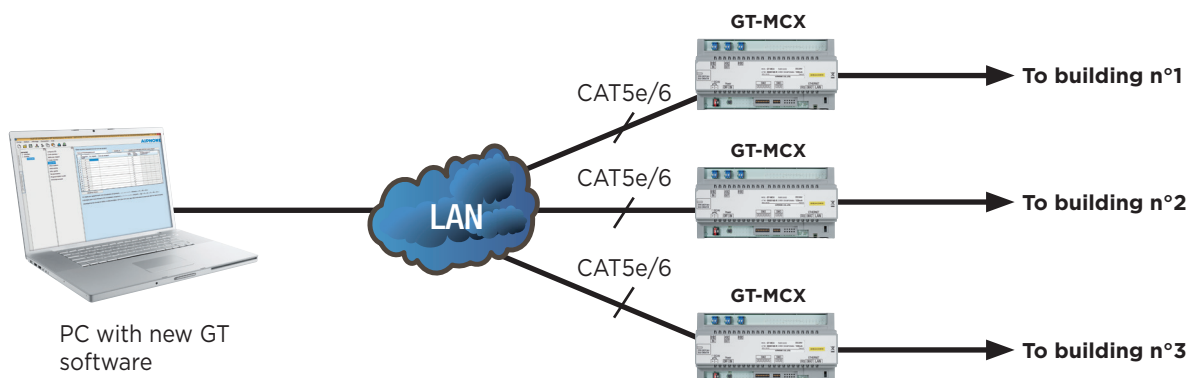
> IP CONTROL UNIT FOR MULTI BUILDING INSTALLATIONS

FEATURES

- Many sites can be connected to each other via the IP central unit creating a multi-site network for centralized management
- Maximum 24 tenant building and 8 main building can be connected
- Manage more than 500 room station in the same building
- It is then possible to increase the number of 500 room stations to 5,000
- Centralization
- Allows to connect buildings in LAN to increase the installation distance or to avoid the creation of sheaths

	Standard system	Expanded system	System with GT-MCX
Max number of entrance stations	8	16	480
Max number of room stations	48	500	5000
Max number of guard stations	2	4	96

See example next pages



GT system GT-MCX

> IP CONTROL UNIT FOR MULTI BUILDING INSTALLATIONS

EXAMPLE FOR APARTMENTS BLOCKS

Composition of the site:

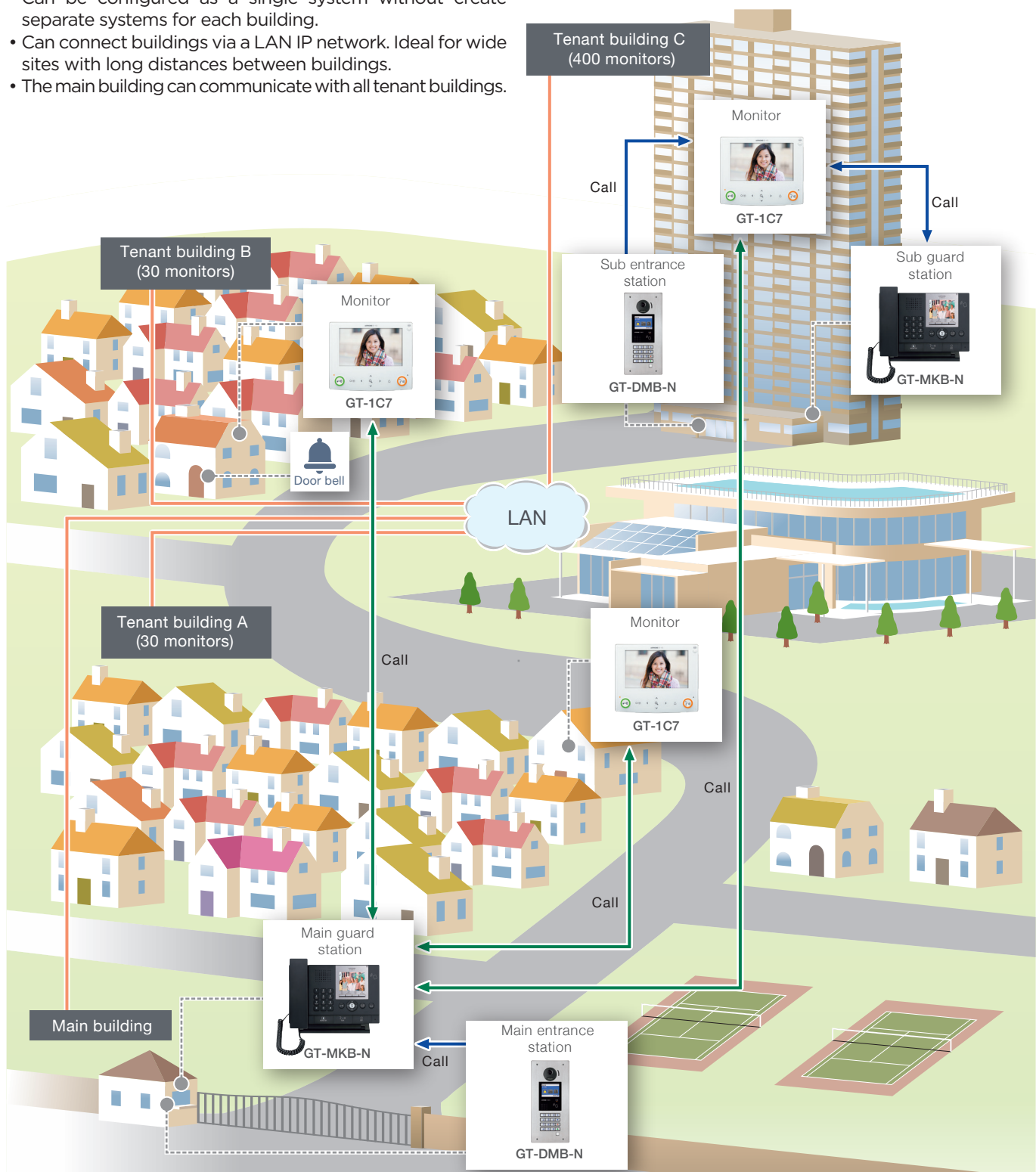
- 1 tenant building with 1 entrance station, 1 security guard station, 400 room stations
- 1 Main building: Guardian office with 1 entrance station, 1 security guard station

This configuration:

- Can be configured as a single system without create separate systems for each building.
- Can connect buildings via a LAN IP network. Ideal for wide sites with long distances between buildings.
- The main building can communicate with all tenant buildings.

Proposed system:

- 2 standard systems for single houses
- 1 expanded system for the tenant buildings
- 1 standard system in the security office with GT-MCX



For this max number of building

Capacity change in:

8 Main buildings

24 tenant buildings

480
entrances

5000
stations

96
guard stations

EXAMPLE FOR COMMERCIAL BUILDINGS

Composition of the site:

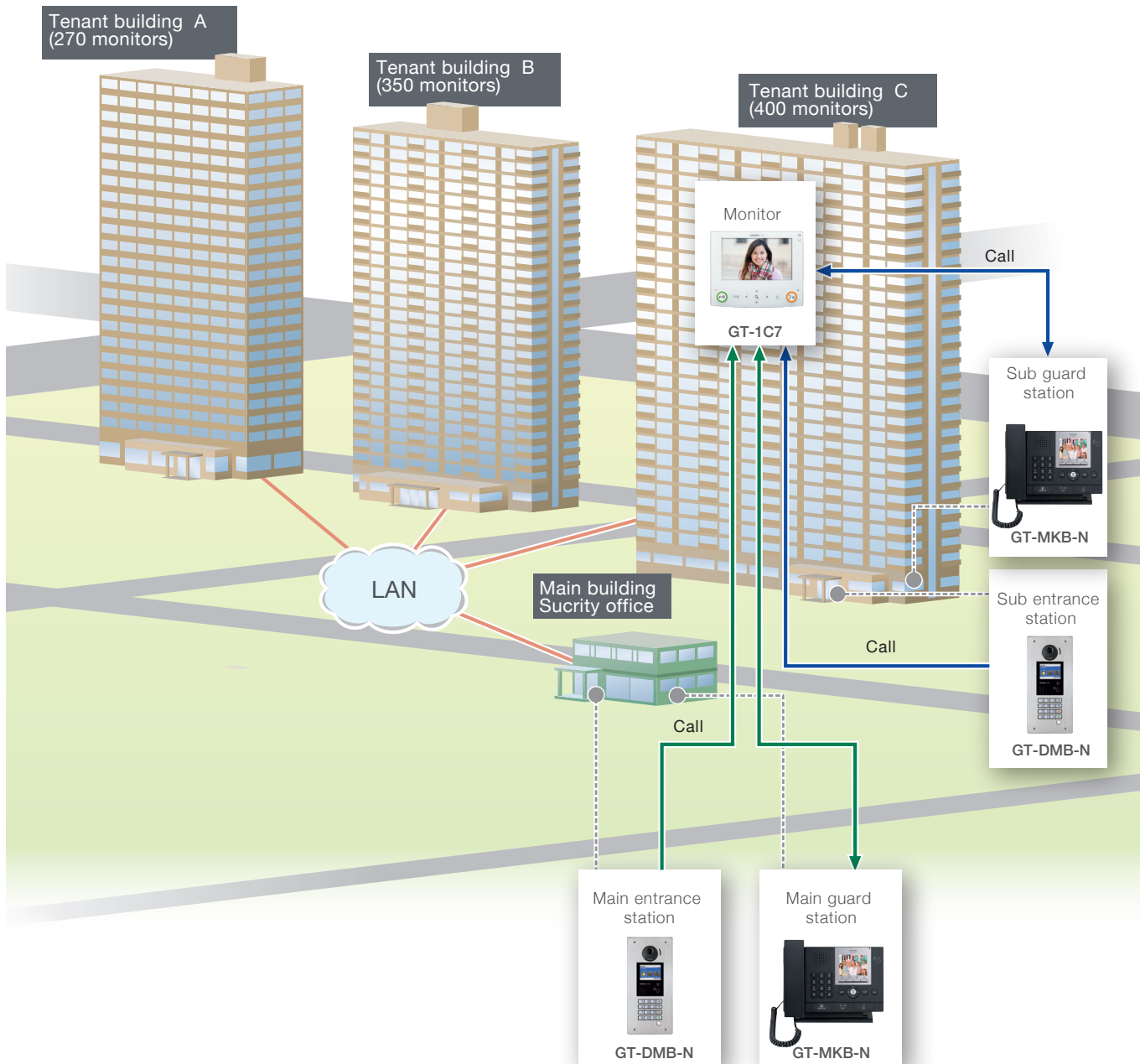
- 3 tenant buildings: offices with 3 entrance stations, 2 security guard stations & 1060 room stations
- 1 main building: Security office with 1 entrance station, 1 security guard station

This configuration:

- Can be configured as a single system without create separate systems for each building.
- Can connect buildings via a LAN IP network. Ideal for wide sites with long distances between buildings.
- The main building can communicate with all tenant buildings

Proposed system:

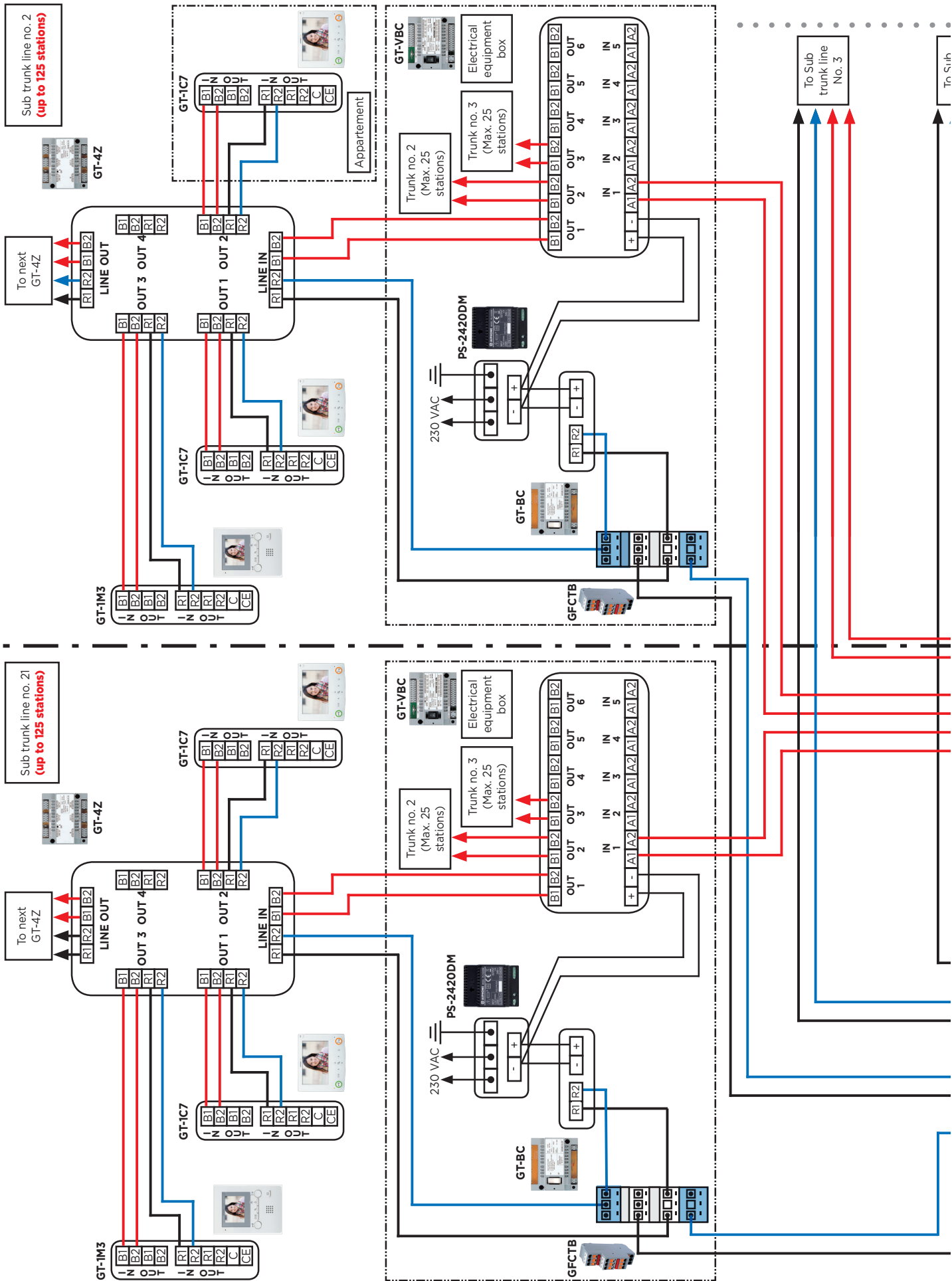
- 3 Expanded systems in tenant buildings
- 1 expanded system in security office with GT-MCX



GT system

Hands-free COLOUR VIDEO

Accessibility
Apartment

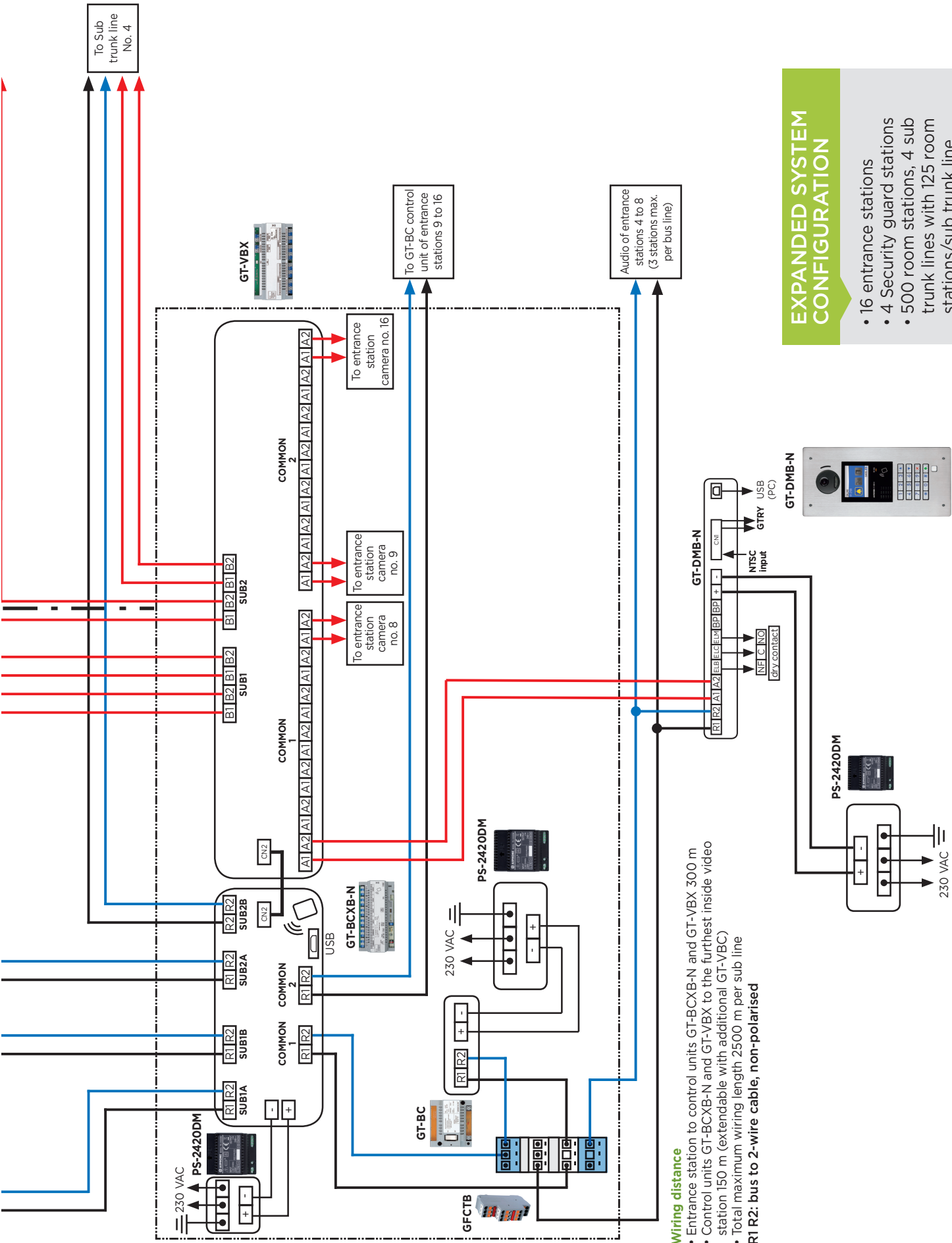


16 entrances
500 stations
4 guard stations

EXPANDED SYSTEM CONFIGURATION

- 16 entrance stations
- 4 Security guard stations
- 500 room stations, 4 sub trunk lines with 125 room stations/sub trunk line

Accessibility Apartment



Wiring distance

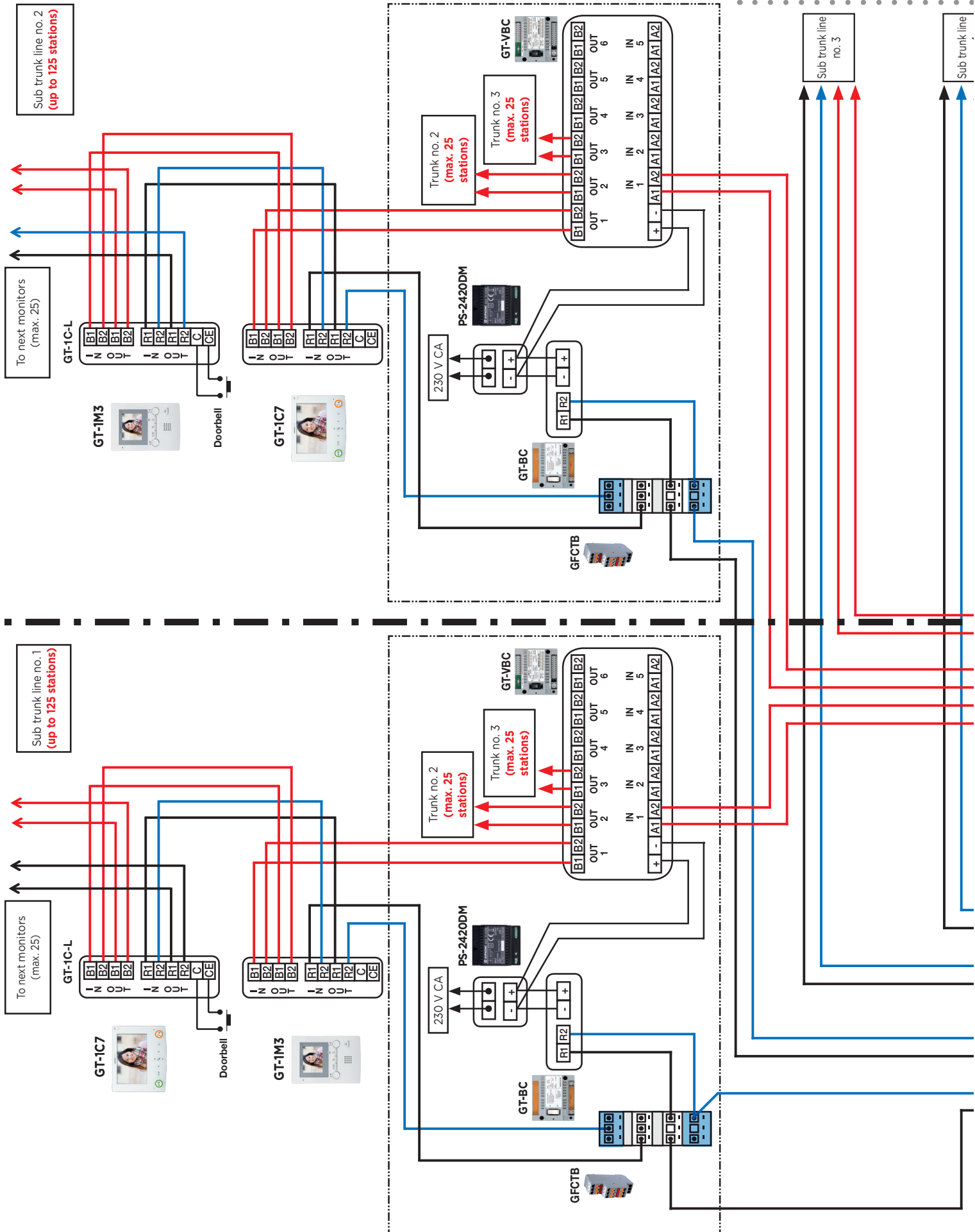
- Entrance station to control units GT-BCXB-N and GT-VBX 300 m
- Control units GT-BCXB-N and GT-VBX to the furthest inside video station 150 m (extendable with additional GT-VBC)
- Total maximum wiring length 2500 m per sub line

R1 R2: bus to 2-wire cable, non-polarised

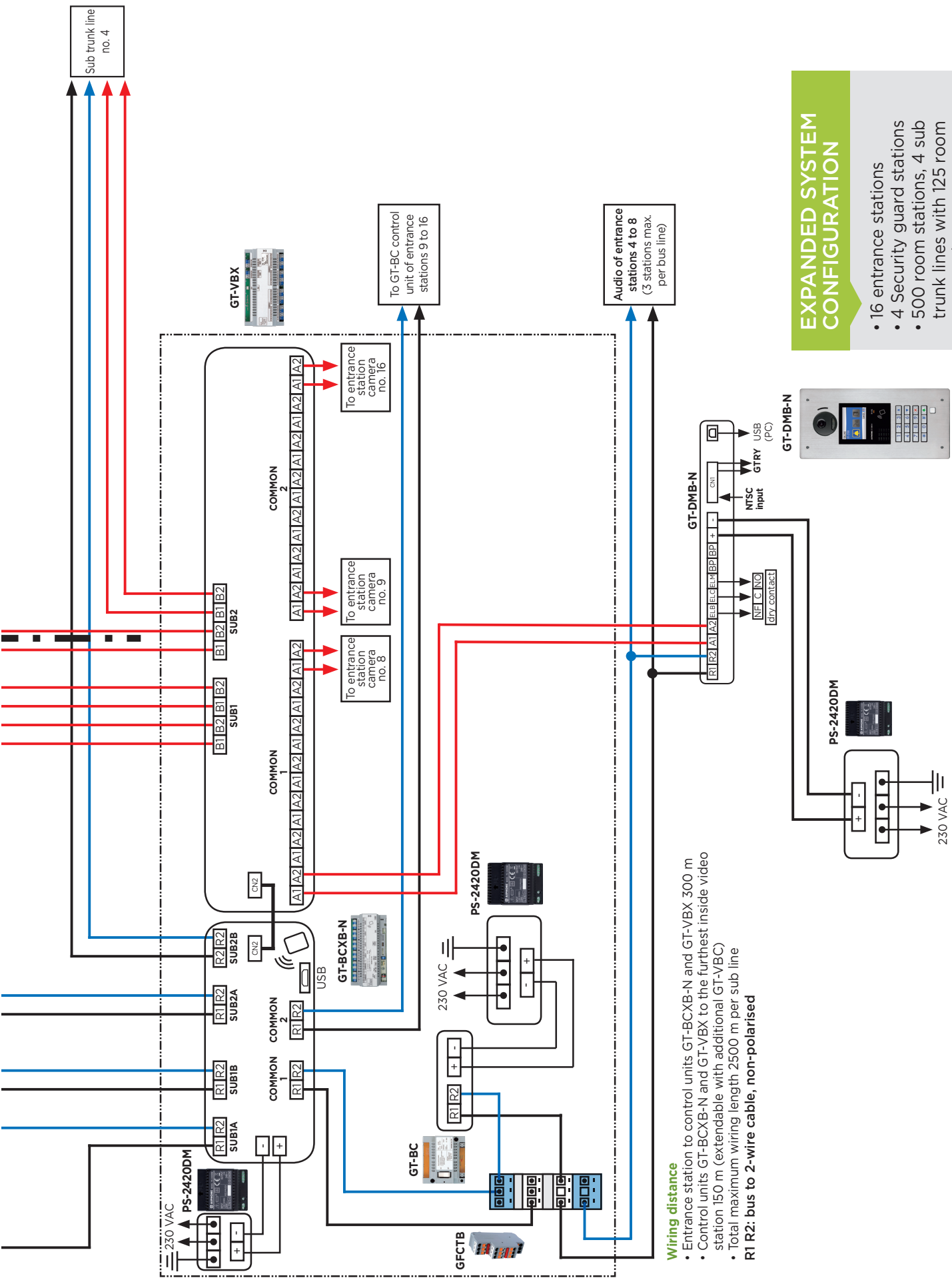
GT system

Hands-free
COLOUR VIDEO with series wiring

Accessibility
Apartment



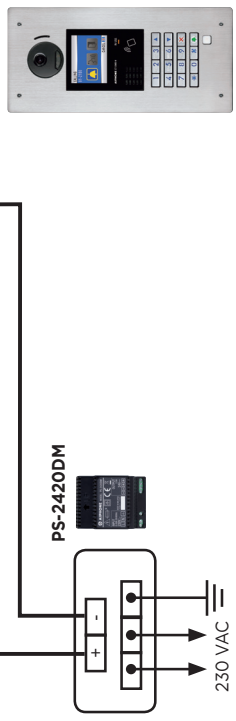
16 entrances
500 stations
4 guard stations



EXPANDED SYSTEM CONFIGURATION

- 16 entrance stations
- 4 Security guard stations
- 500 room stations, 4 sub trunk lines with 125 room stations/sub trunk line

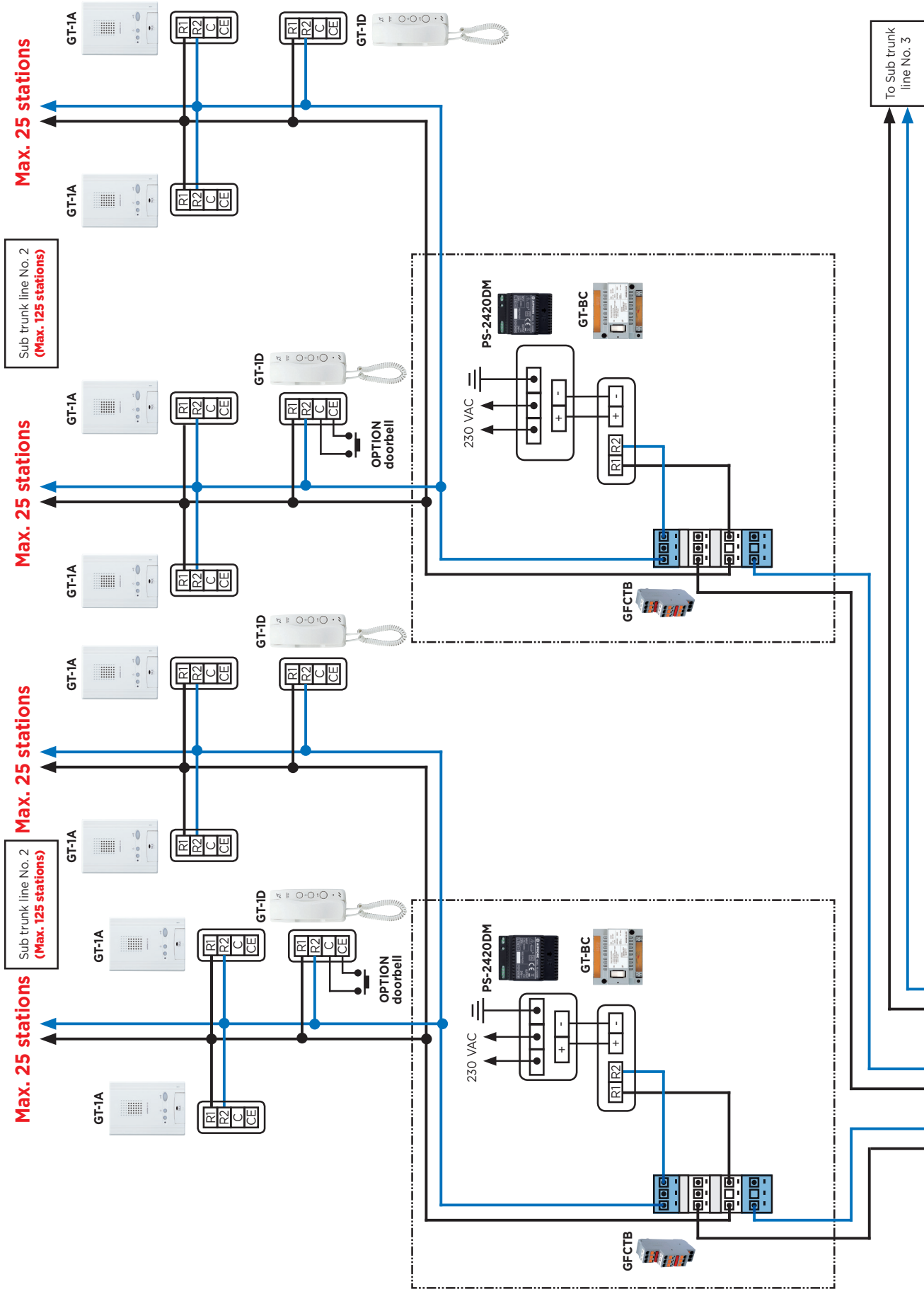
- Wiring distance**
- Entrance station to control units GT-BCXB-N and GT-VBX 300 m
 - Control units GT-BCXB-N and GT-VBX to the furthest inside video station 150 m (extendable with additional GT-VBC)
 - Total maximum wiring length 2500 m per sub line
- R1 R2: bus to 2-wire cable, non-polarised**



GT system

Hands-free COLOUR AUDIO

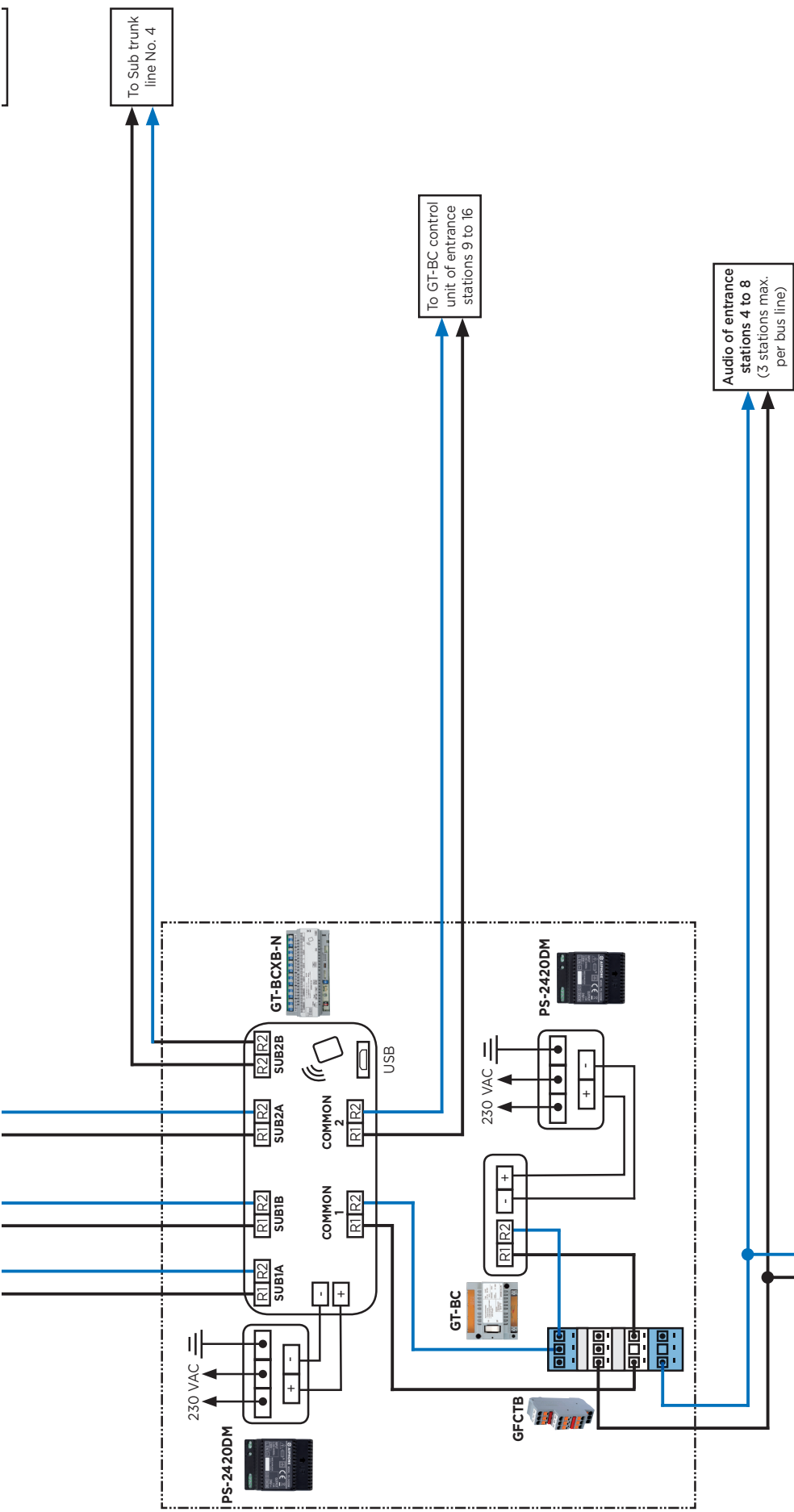
Accessibility
Apartment



16
entrances

500
stations

4
guard stations

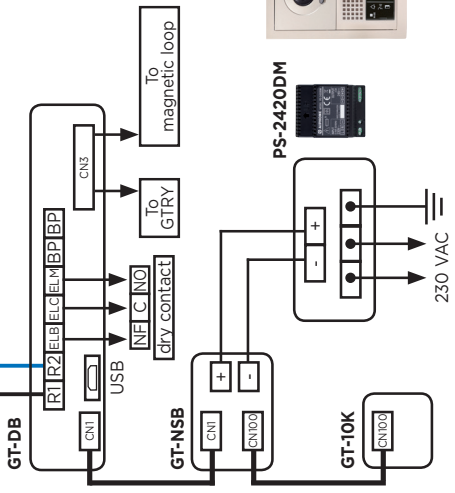


CONFIGURATION OF EXPANDED SYSTEM

- 16 entrance stations
- 4 security guard stations
- 500 room stations/4 sub-lines with 125 stations/sub-line

Wiring distance
 Entrance station <-> GT-BCXB-N control units: 300 m
 GT-BC control units <-> farthest audio door station 300 m
 Total maximum wiring distance 2500 m per sub line
R1 R2: non-polarised 2-conductor cable bus

Audio of entrance stations 4 to 8 (3 stations max. per bus line)

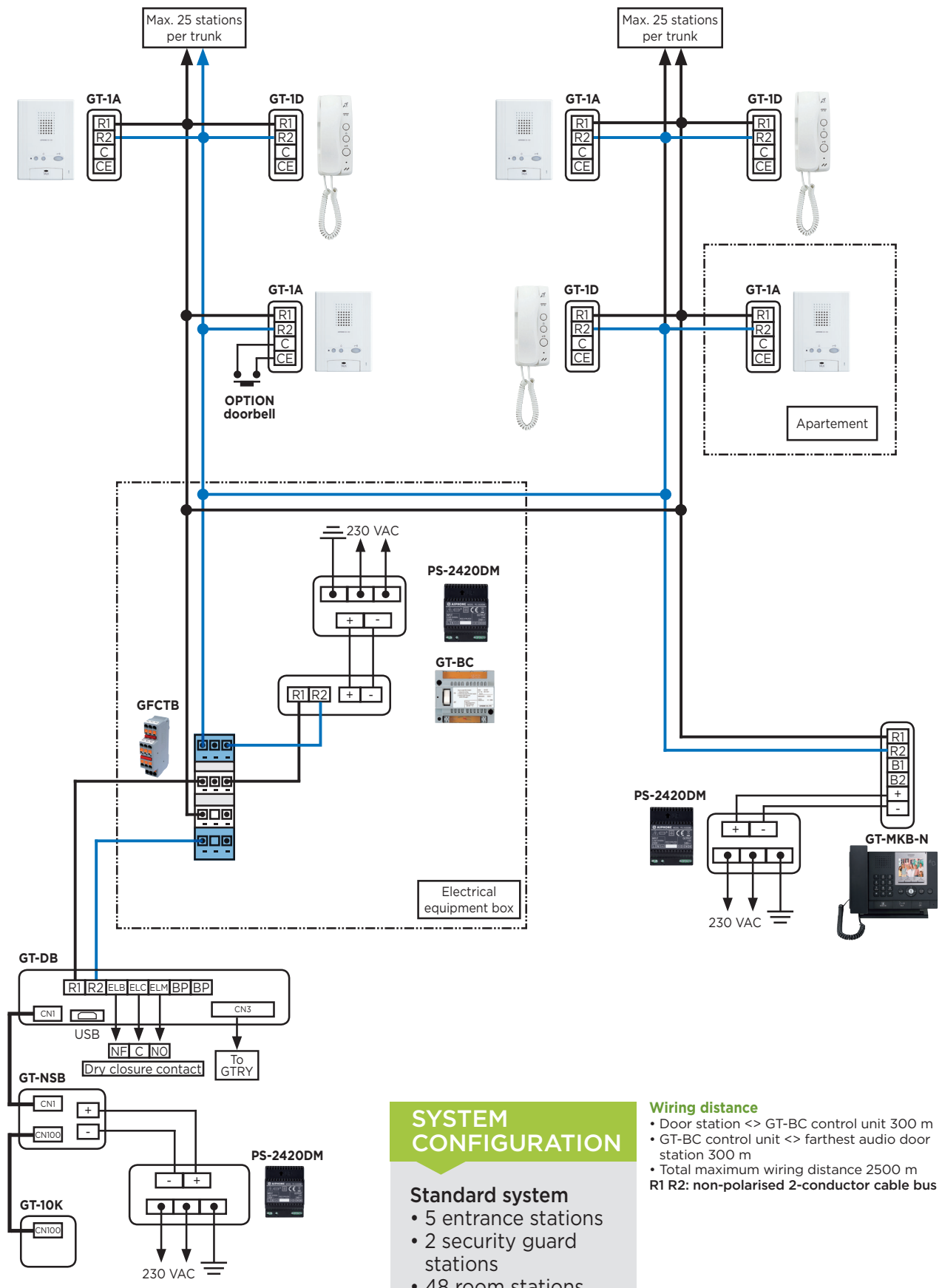


GT system

Hands-free
AUDIO

5 entrances
48 stations
2 guard stations

Accessibility
Apartment



SYSTEM CONFIGURATION

Standard system

- 5 entrance stations
- 2 security guard stations
- 48 room stations

Wiring distance

- Door station <-> GT-BC control unit 300 m
- GT-BC control unit <-> farthest audio door station 300 m
- Total maximum wiring distance 2500 m

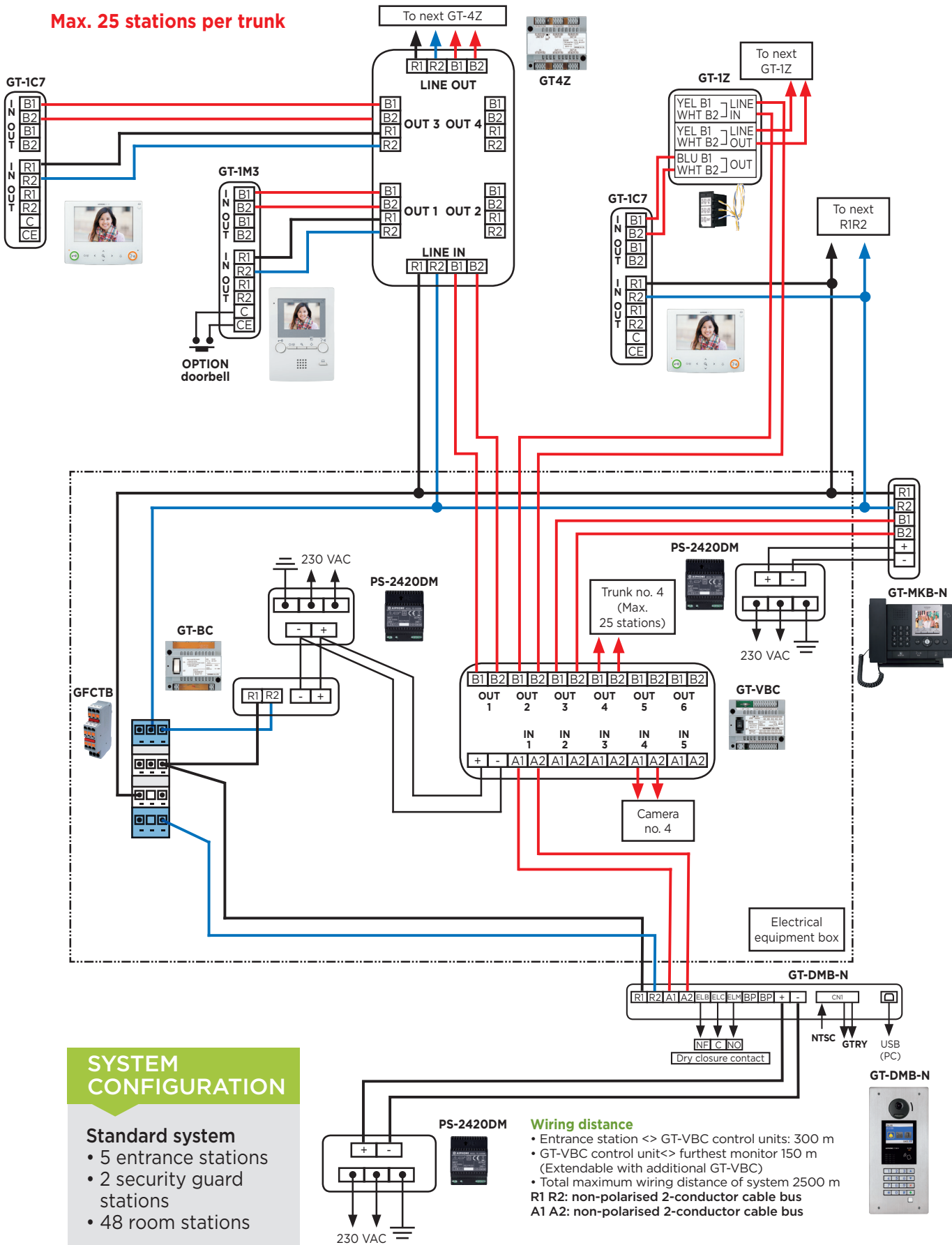
R1 R2: non-polarised 2-conductor cable bus

GT system

Hands-free
COLOUR VIDEO

5 entrances
48 stations
2 guard stations

Max. 25 stations per trunk



SYSTEM CONFIGURATION

Standard system

- 5 entrance stations
- 2 security guard stations
- 48 room stations

Wiring distance

- Entrance station <> GT-VBC control units: 300 m
 - GT-VBC control unit <> furthest monitor 150 m (Extendable with additional GT-VBC)
 - Total maximum wiring distance of system 2500 m
- R1 R2: non-polarised 2-conductor cable bus
A1 A2: non-polarised 2-conductor cable bus

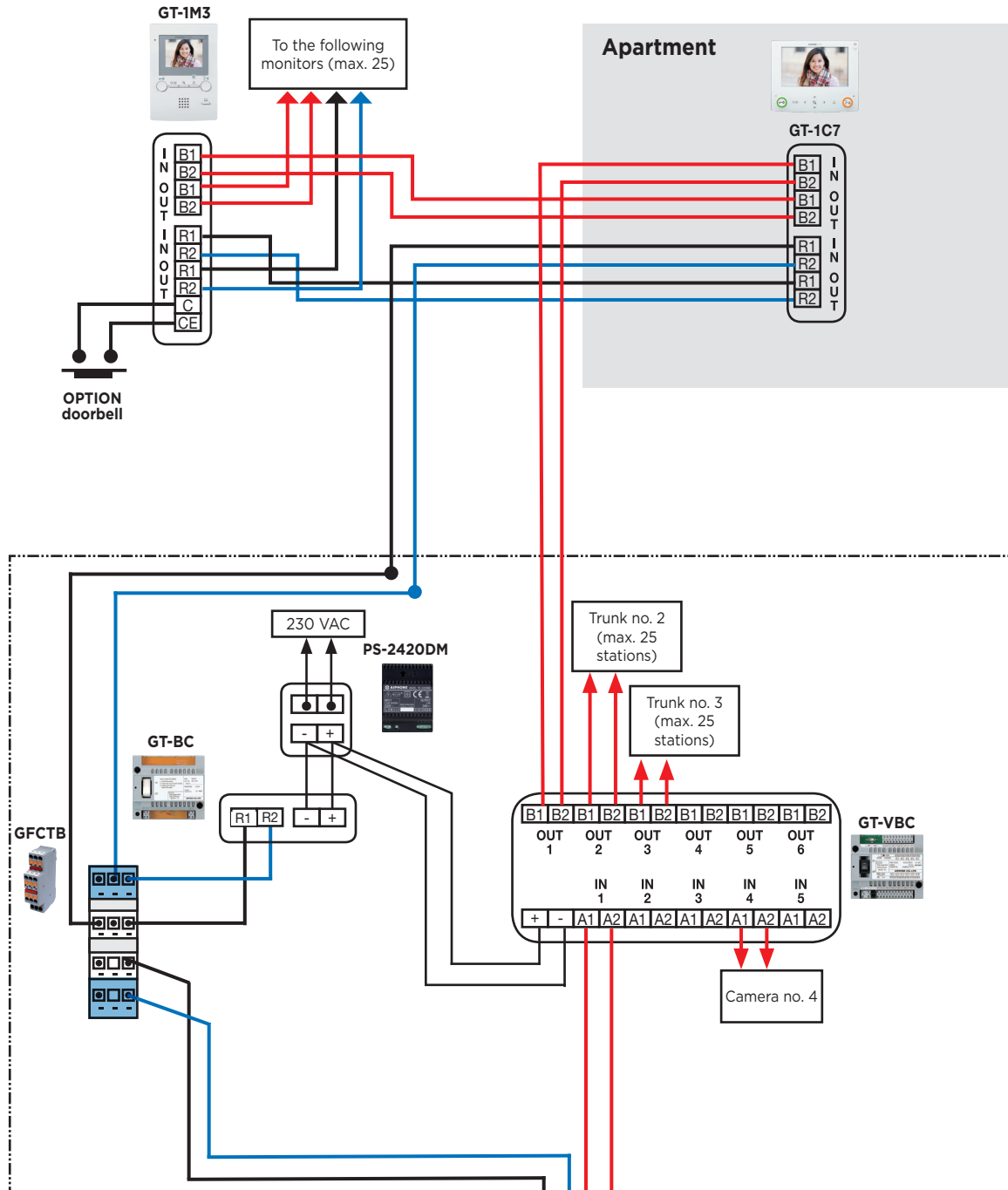
Accessibility
Apartment

GT system

WITH SERIES WIRING

5 entrances **48** stations **2** guard stations

Accessibility Apartment



Wiring distance

- Door station to control unit GT-VBC: 300 m
- Control unit GT-VBC to furthest monitor 150 m (extendable with additional GT-VBC)
- Total maximum wiring length 2500

R1 R2: bus to 2-wire cable, non-polarised
A1 A2: bus to 2-wire cable, non-polarised

